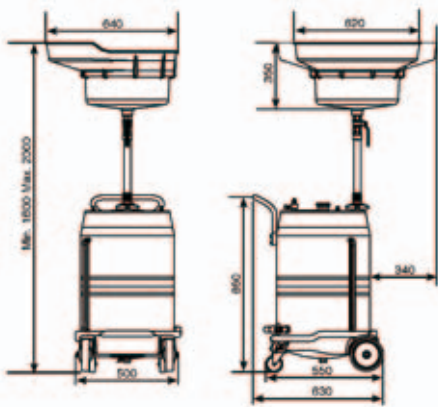


# 08

## WASTE OIL EQUIPMENT

WASTE OIL GRAVITY RECEIVERS - 100L AND 70L	72
WASTE OIL SUCTION UNITS - 100L AND 70L	74
COMBINED WASTE OIL SUCTION AND GRAVITY UNITS - 100L AND 70L	76
WASTE OIL SUCTION UNIT - 24L	78
WASTE OIL SUCTION PUMPS	78
SPECIAL WASTE OIL GRAVITY RECEIVERS	79
WASTE OIL EVACUATION PUMP KITS	80
WASTE OIL ACCESSORIES	80
FILTER PRESS	81



Mobile units for gravity collection of motor oil and gear oil as well as other non-aggressive A-III class automotive fluids. Receivers can be used under vehicle lifts and inside lubrication pits.

**Main features:**

- 100 l (26 gallons) capacity, with side level gauge.
- Large tray for tools, washers, filters, etc. on top of the tank.
- One piece moulded spoiler for securing the discharge hose in pressure discharge models.
- Two reinforced castors and two reinforced wheels.
- Composite and steel telescopic collection bowl, 360° positionable oversized extension for wider reach. Anti splash grid that can hold used filters for draining.

**372 400**

MOBILE WASTE OIL RECEIVERS - 100 L CAPACITY - PRESSURE DISCHARGE



**372 400 - Mobile waste oil receivers - 100 l - pressure discharge**

The unit is discharged through a discharge hose pressurizing the unit at 0.5 bar (3.5 psi) with a tyre gauge. The unit includes a safety valve, for avoiding overpressure, and a 1.5 m discharge hose.

**372 200**

MOBILE WASTE OIL RECEIVERS - 100 L CAPACITY - PUMP DISCHARGE



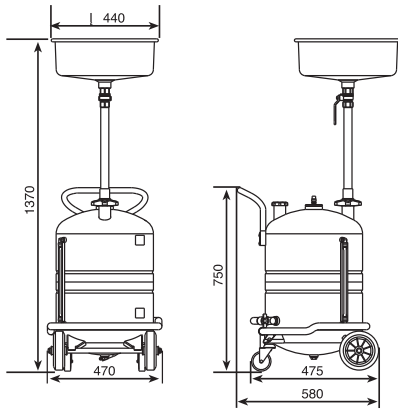
**372 200 - Mobile waste oil receivers - 100 l - pump discharge**

The unit is discharged with a 1:1 pressure ratio pump located at the back of the unit; through a 1.5 m discharge hose with a dry break quick coupler.

**372 300 - Mobile waste oil receivers - 100 l - remote pump discharge**

The unit is discharged with a wall mounted discharge pump (not included) through a hydraulic dry break coupler located at the bottom of the tank. Includes hydraulic coupler (950 352).

MOBILE WASTE OIL GRAVITY RECEIVERS - 70 L



Mobile units for gravity collection of motor oil and gear oil as well as other non-aggressive A-III class automotive fluids. Receivers can be used under vehicle lifts and inside lubrication pits.

Main features:

- 70 l (17 gallons) capacity, with side level gauge.
- Two reinforced castors and two reinforced wheels.
- Cylindrical telescopic collection bowl with filter.

**373 400**

MOBILE WASTE OIL RECEIVERS - 70 L CAPACITY - PRESSURE DISCHARGE



**373 400 - Mobile waste oil receivers - 70 l - pressure discharge**

The unit is discharged through a discharge hose pressurizing the unit at 0.5 bar (3.5 psi) with a tyre gauge. The unit includes a safety valve, for avoiding overpressure, and a 1.5 m discharge hose.

**373 200**

MOBILE WASTE OIL RECEIVERS - 70 L CAPACITY - PUMP DISCHARGE

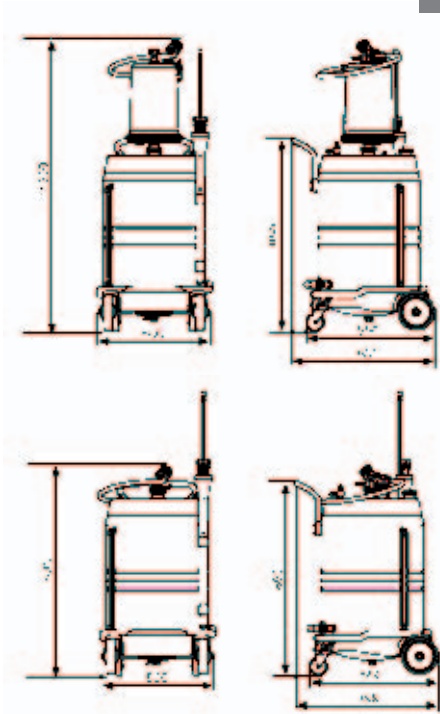


**373 200 - Mobile waste oil receivers - 70 l - pump discharge**

The unit is discharged with a 1:1 pressure ratio pump located at the back of the unit; through a 1.5 m discharge hose with a dry break quick coupler.

**373 300 - Mobile waste oil receivers - 70 l - remote pump discharge**

The unit is discharged with a wall mounted discharge pump (not included) through a hydraulic dry break coupler located at the bottom of the tank. Includes hydraulic coupler (950 352).



Mobile units for waste oil suction. Waste oil suction is carried out by an air operated vacuum pump with no moving and no wear parts, using a probe or connector inserted into the motor oil level gauge. All units include a 2.0 m suction hose with rubber handle and a set of connectors and probes and holder 737 972.

These units can be used as autonomous units, disconnected from the air supply, once the vacuum inside their tank is created.

The units are discharged through a 1.5 m discharge hose, pressurizing the unit at 0.5 bar (3.5 psi) with a tyre gauge. The units include a safety valve, for avoiding overpressure.

Main features:

- 100 l (26 gallons) capacity, with side level gauge.
- Large tray for tools, washers, filters, etc. on top of the tank, with special holders for suction connectors.
- One piece moulded spoiler for securing the discharge hose.
- Two reinforced castors and two reinforced wheels.
- High performance and low noise vacuum pump.
- Complete probes and connectors kit with holder for probes, which can be removed to clean it.

**372 100**

MOBILE WASTE OIL SUCTION UNIT - 100 L CAPACITY - WITH TRANSPARENT CHAMBER



**372 100 - Mobile waste oil suction unit - 100 l - with transparent chamber**

Includes a 10 l transparent chamber that can be used as vacuum reservoir and allows an immediate inspection of the waste oil sucked out.

**372 600**

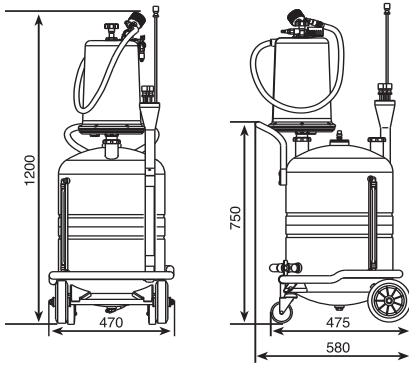
MOBILE WASTE OIL SUCTION UNIT - 100 L CAPACITY



**372 600 - Mobile waste oil suction unit - 100 l**

Mobile waste oil suction unit, 100 l capacity. Ideal use with all types of passenger cars, trucks, tractors, aircrafts, boats, etc.

**MOBILE WASTE OIL SUCTION UNITS - 70 L**



Mobile units for waste oil suction. Waste oil suction is carried out by an air operated vacuum pump with no moving and no wear parts, using a probe or connector inserted into the motor oil level gauge. All units include a 2.0 m suction hose with rubber handle and a set of connectors and probes and probe holder 737 972.

These units can be used as autonomous units, disconnected from the air supply, units once the vacuum inside their tank is created.

The units are discharged through a 1.5 m discharge hose, pressurizing the unit at 0.5 bar (3.5 psi) with a tyre gauge. The units include a safety valve, for avoiding overpressure.

Main features:

- 70 l (17 gallons) capacity, with side level gauge.
- Two reinforced castors and two reinforced wheels.
- High performance and low noise vacuum pump.
- Complete probes and connectors kit with holder for probes, which can be removed to clean it.

**373 100**

**MOBILE WASTE OIL SUCTION UNIT - 70 L CAPACITY - WITH TRANSPARENT CHAMBER**



**373 100 - Mobile waste oil suction unit - 70 l - with transparent chamber**

Includes a 10 l transparent chamber that can be used as a vacuum reservoir and allows an immediate inspection of the waste oil sucked out.

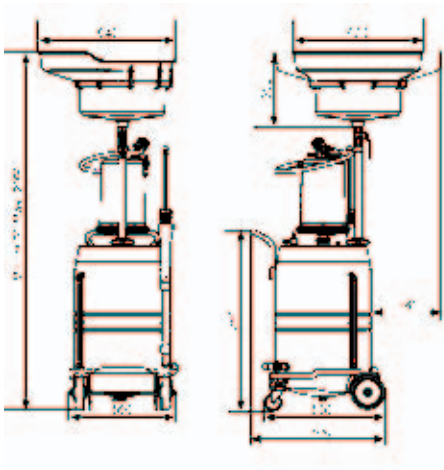
**373 600**

**MOBILE WASTE OIL SUCTION UNIT - 70 L CAPACITY**



**373 600 - Mobile waste oil suction unit - 70 l**

Mobile waste oil suction unit, 70 l capacity. Ideal for use with all types of passenger cars, trucks, tractors, aircrafts, boats, etc.



Mobile units that allow the collection of waste oil by gravity and by suction.

Waste oil suction is carried out by an air operated vacuum pump with no moving and no wear parts, using a probe or connector inserted into the motor oil level gauge. All units include a 2.0 m suction hose with rubber handle and a set of connectors and probes and probe holder 737 972.

Gravity collection is carried out using a 20 l capacity, height adjustable and oversized collection bowl with an anti splash grid.

These units can be used as autonomous units, disconnected from the air supply, once the vacuum inside their tank is created.

The units are discharged through a discharge hose, pressurizing the unit at 0.5 bar (3.5 psi) with a tyre gauge. The units include a safety valve, for avoiding overpressure.

Main features:

- 100 l (26 gallons) capacity, with side level gauge.
- Large tray for tools, washers, filters, etc. on top of the tank, with special holders for suction connectors.
- High performance and low noise vacuum pump.
- One piece moulded spoiler for securing the discharge hose.
- Two reinforced castors and two reinforced wheels.
- Composite and steel telescopic collection bowl, 360° positionable oversized extension for wider reach. Anti splash grid that can hold used filters for draining.
- Complete probes and connectors kit with probe holder, which can be removed to clean.

**372 000**

**COMBINED WASTE OIL SUCTION AND GRAVITY UNIT - 100 L CAPACITY WITH TRANSPARENT CHAMBER**



**372 000 - Combined waste oil suction and gravity unit - 100 l - with transparent chamber**

Includes a 10 l transparent chamber that can be used as a vacuum reservoir and allows an immediate inspection of the waste oil sucked out.

**372 500**

**COMBINED WASTE OIL SUCTION AND GRAVITY UNIT - 100 L CAPACITY**



**372 500 - Combined waste oil suction and gravity unit - 100 l**

Mobile waste oil suction unit, 100 l capacity. Ideal use with all type of passenger cars, trucks, tractors, etc.

Mobile units that allow the collection of waste oil by gravity and by suction.

Waste oil suction is carried out by an air operated vacuum pump with no moving and no wear parts, using a probe or connector inserted into the motor oil level gauge. All units include a 2.0 m suction hose with rubber handle and a set of connectors and probes and probe holder 737 972.

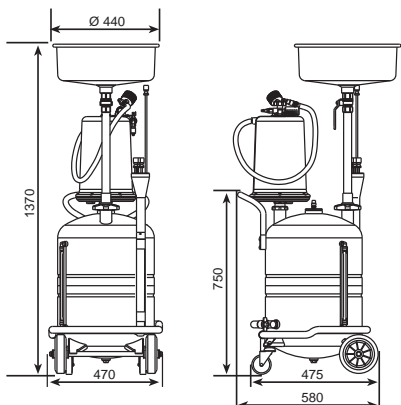
Gravity collection is carried out using a 20 l capacity, height adjustable collection bowl with filter.

These units can be used as autonomous units, disconnected from the air supply, once the vacuum inside their tank is created.

The units are discharged through a 1.5 m discharge hose, pressurizing the unit at 0.5 bar (3.5 psi) with a tyre gauge. The units include a safety valve, for avoiding overpressure.

Main features:

- 70 l (17 gallons) capacity, with side level gauge.
- High performance and low noise vacuum pump.
- Two reinforced castors and two reinforced wheels.
- Cylindrical telescopic collection bowl with grid
- Complete probes and connectors kit with probe holder, which can be removed to clean.



**373 000**

**COMBINED WASTE OIL SUCTION AND GRAVITY UNIT - 70 L CAPACITY WITH TRANSPARENT CHAMBER**



**373 000 - Combined waste oil suction unit and gravity- 70 l - with transparent chamber**

Includes a 10 l transparent chamber that can be used as a vacuum reservoir and allows an immediate inspection of the waste oil sucked out.

**373 500**

**COMBINED WASTE OIL SUCTION AND GRAVITY UNIT - 70 L CAPACITY**



**373 500 - Combined waste oil suction and gravity unit - 70 l**

Mobile waste oil suction unit, 100 l capacity. Ideal use with all types of passenger cars, trucks, tractors, etc.

**371 600****MOBILE WASTE OIL SUCTION UNIT - 24 L****371600 - Mobile waste oil suction unit - 24 l**

Waste oil suction unit with air operated vacuum pump with no moving and no wear parts. Can be used as an autonomous unit, disconnected from the air supply, once the vacuum inside its tank is created. 24 L (6.3 gallons) capacity tank with side level gauge. Includes suction probes and connectors kit (737 950) and 2 m suction hose with rubber handle.

Ideal use with cars, tractors, boats, etc.

**379 700****OIL SUCTION UNITS WITH AIR OPERATED PUMP.**

Stationary waste oil suction unit with air operated piston pump. The unit is installed at the service bay and enables the cleanest method of waste oil collection.

An air operated piston pump sucks out the waste oil and transfers it directly to a remote storage tank. Waste oil is sucked out through a probe or connector inserted in place of the oil dip stick.

Minimum air pressure required: 6 bar.

Unit includes 3/8" x 4 m. suction hose and 1/2" x 1.5 m oil discharge hose, complete with a set of suction connectors and probes and probe holder (737 972) and air valve for adjusting the pump speed.

**379 700 - Stationary waste oil unit with pedestal****379 701 - Wall mounted stationary waste oil unit.**

**439 100**

**PIT ROLLING DRAINER**



**439 100 - Pit rolling drainer - 95 L**

Rolling drainer for installation between pits rails with minimum / maximum width 1040 / 1450 mm. 95 l (25 gallons) capacity. Unit includes ant-splash grid, four vertical and four horizontal rollers for easy rolling and outlet with ball valve (1 1/4" BSP (F)). Allows the connection of a dry break hydraulic connector 950 352 and connection adaptors 945 513 + 945 551 for discharge , once full, with a discharge pump kit.

**435 000 / 436 000**

**LOW LEVER MOBILE DRAINERS**



Low level mobile drainers for gravity collection of waste oil and used automotive fluids such as antifreeze solutions. Recommended to use when a lift or a service pit is not available.

Gravity discharge through a drain valve or using a discharge pump kit through a dry break hydraulic connector 950 352 (not included).

**435 000 - Low level mobile drainer - 20 l**

20 l (5.2 gallons) unit for use with passenger cars and small vans. Dimensions: 770 x 470 x 130 mm.

**436 000 - Low level mobile drainer - 95 l**

95 l (25 gallons) unit for use with passenger cars, vans, tractors, commercial vehicles, etc. Dimensions: 1250 x 610 x 260 mm.



**436 100**

**COOLANT FLUID RECOVERY UNIT**

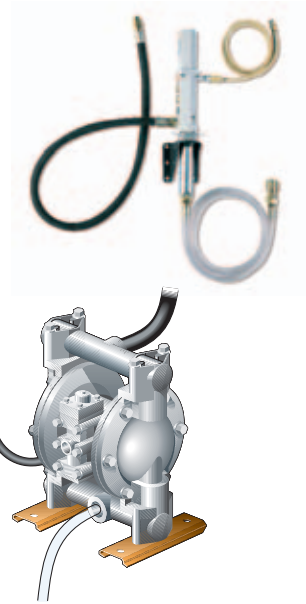


**436 100 - Coolant fluid recovery unit**

95 l low level waste oil drainer 436 000 equipped with a diaphragm pump, 1.5 m hose and control gun. The unit allows the draining of the coolant circuit of a vehicle without the use of a pit or lift. Thanks to the pump, it is possible to reuse the coolant fluid once the circuit has been repaired.

Recommended use with industrial vehicles, construction machinery and agricultural vehicles.

379 100



**WASTE OIL EVACUATION PUMP KITS AND ACCESSORIES**

**WASTE OIL EVACUATION PUMP KITS**

Wall mounted pump kits to discharge waste oil drainers through a dry break hydraulic connector. All kits include wall bracket, air connection hose with quick coupler and connector, 1.5 m oil discharge hose and 1.5 m suction hose with dry break hydraulic coupling to fit connector 950 352.

**379 100 - 1:1 waste oil discharge pump kit**

Includes a 1:1 pressure ratio wall mounted pump.

**559 000 - Waste oil discharge diaphragm pump kit**

Includes a 3/8" diaphragm pump 550 000.

**559 100 - Waste oil discharge diaphragm pump kit – high delivery**

Includes a 1" diaphragm pump 551 000

950 352 / 950 353

**ACCESSORIES FOR WASTE OIL EVACUATION KITS**



**950 352 - Dry Break hydraulic connector - 3/4" BSP (F)**

**950 353 - Dry Break hydraulic coupler - 3/4" BSP (F)**

**945 551 - 3/4" BSP (MM) connection adaptor**

**945 513 - 1 1/4" BSP (M) - 3/4" BSP (F) connection adaptor**

**WASTE OIL SUCTION PROBES AND CONNECTORS**



**Suction probes**

PART NO.	TYPE	DIAMETER	LENGTH
737 952	Flexible	6 x 4 mm	700 mm
737 953	Flexible	8 x 6 mm	700 mm
737 954	Metallic	5 x 4 mm	700 mm
737 955	Metallic	6 x 5 mm	700 mm
737 949	Flexible	7 x 5 mm	1000 mm
737 958	Flexible	6 x 4 mm	1200 mm
737 959	Flexible	8 x 6 mm	1200 mm
737 946	Flexible	8 x 6 mm	1700 mm

**Connection adaptors**

All suction hoses used in Samoa equipment are fitted with a special connector to fit into Mercedes Benz vehicles. For other vehicles use the following connectors.

**737 947 - VAG vehicles connector**

**737 948 - PSA vehicles connector**

**Connectors and probes kits**

**737 950 - Suction connectors and probes kit**

Includes probes 737 952, 737 953, 737 954, 737 955 and 737 949 and connectors 737 947 and 737 946.

**737 972 - Suction connectors and probes kit with probes holder**

Includes the same probes and connectors as kit 737 950 plus a probe holder.

**743 305**

**WASTE OIL COLLECTION BOWLS**



Waste oil collection bowls with telescopic tube. Bung adaptor with 2" BSP (M) thread for fitting to 60 and 200 l drums with a 2" bung opening or to a bung opening of a drum cover.

**743 305 - 20 l cylindrical bowl**

20 l capacity collection bowl - Ø 440 mm

Accessories:

- 432 000: trolley for 200 l drums
- 431 000: 4 wheels trolley for 50 l drums



**432 000 / 431 000**

**DRUM TROLLEYS**



**432 000 - 185 kg drum trolley**

Trolley with two solid rubber wheels and one rubber swivelling wheel with brake.

**431 000 - 50 kg drum trolley**

Four wheels trolley with tubular frame for 50 kg and 20 kg drums.



**392 000**

**FILTER PRESS**



**392 000 - Filter press**

Press for compacting all kind of filters (oil, fuel, etc.) from vehicles and machines and cans. Volume of disposed elements can be reduced up to 80% and it helps to eliminate contaminant fluids in filters.

Main features:

- 230 / 400 V three phase motor.
- 2 kW hydraulic pump.
- 12 Tons press.
- Maximum filter / can height: 340 mm
- Safety interlocks - press will not operate before the filter chamber is closed.
- Time for pressing a 340 mm. filter: 30 seconds.
- Dimensions: 350 x 620 x 1800 mm.